



CEA Portable Power Station

User Manual

Read through the user manual before use.

LFP-EA-SY1-1280



Application

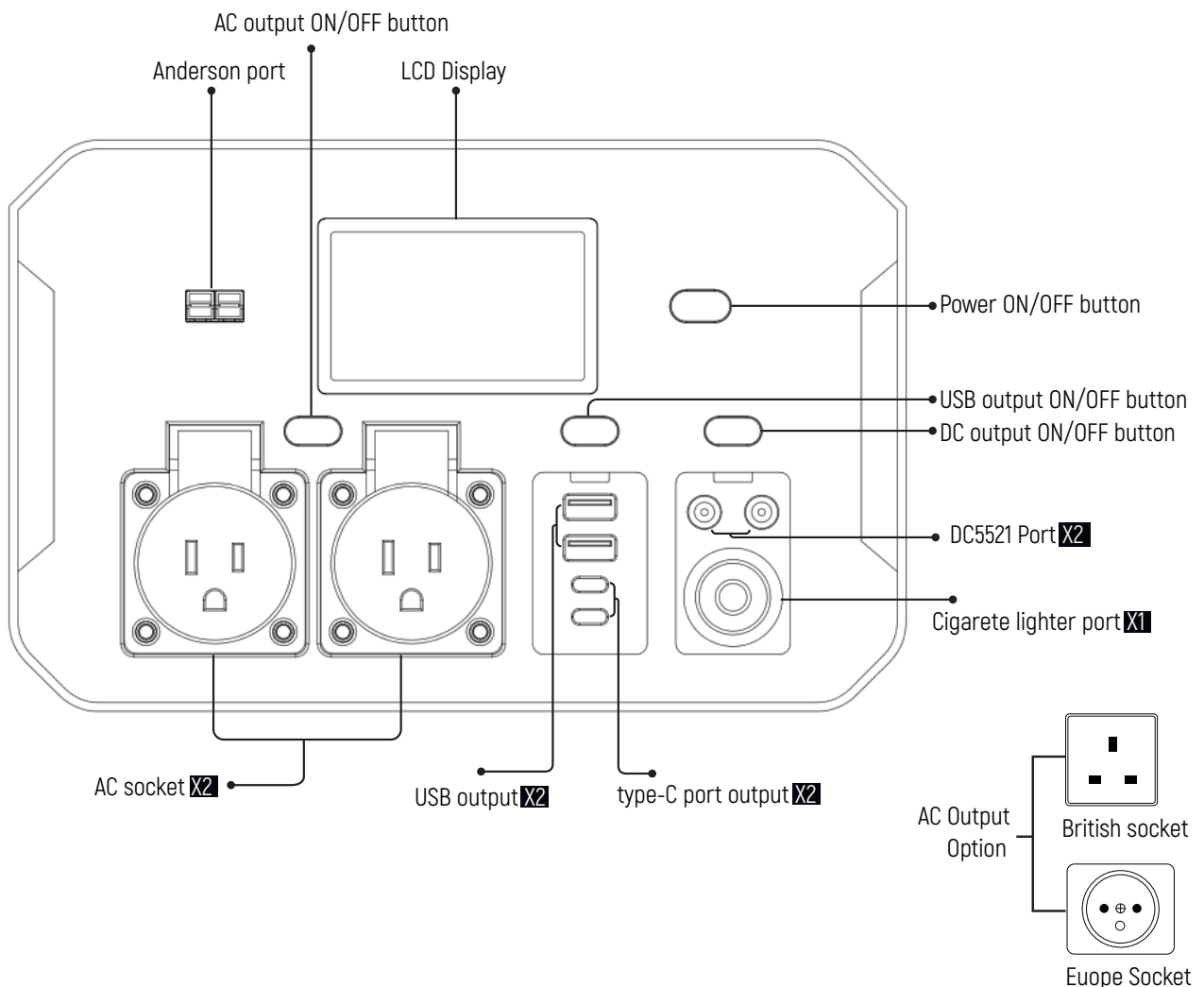
General Specification:

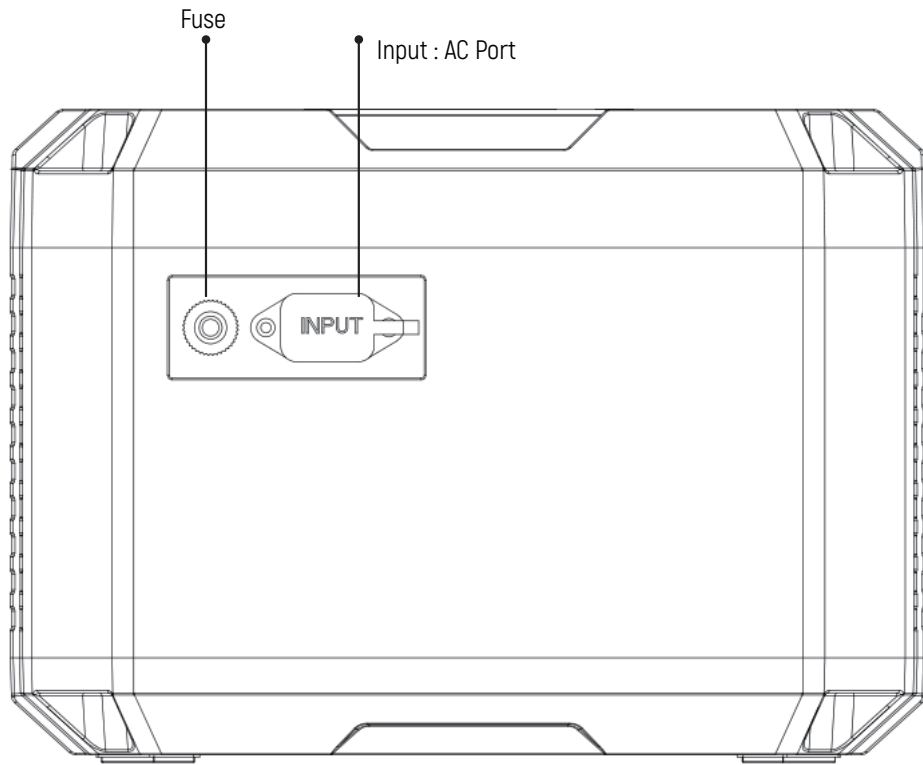
Principle : Portable power station is a big size battery, it works by output DC voltage or AC voltage through inverter, when the battery runs out ,it could be recharged via wall socket, solar board, cigarette charger.

Devices : Mini refrigerator, printer, computer, laptop, POS, drone, smart phones, lamps and devices rated power no more than 1000W. The portable power station support pass-through charging.

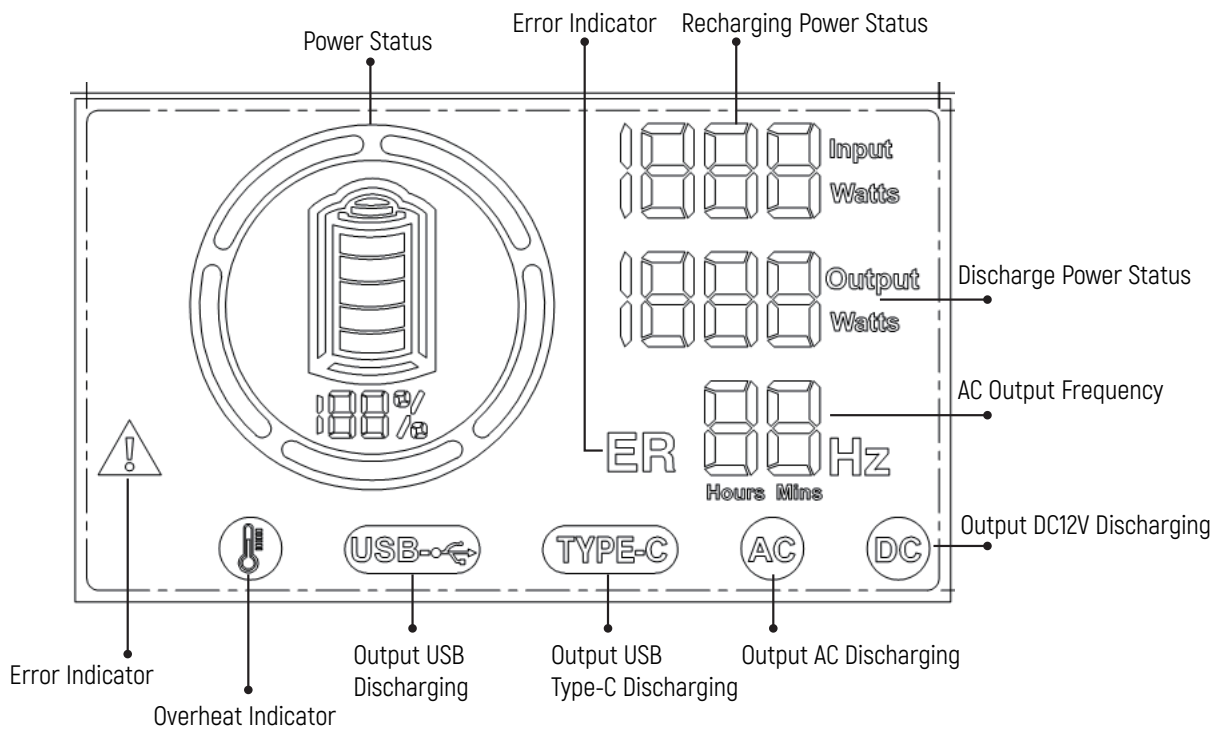
Description

1. Main part : Housing, LiFePO4 battery, Inverter, LCD display, Function board.
2. Function board introduction:





LCD Display Introduction



Parameter

Project	Description	
Battery	1280WH LiFePO4	
Dimension(LxWxH)	378x265x239mm	
N.W.	13kg(28.6 lb)	
Ambient Temperature	-10~40°C(14° to 104°F)	
Storage Temperature	-10~40°C(14° to 104°F)	
Input	wall socket	1100W(110V 10A,60Hz, built-in adapter)
	solar board	Max 400W(11-60V 10A)
	cigaretter lighter	Max 120W(12V 10A)
Recharging time	wall socket	about 1.2 hours
	solar board	about 3.2 hours (400W board with MPPT)
	cigaretter lighter	about 11 hours
Output	AC Socket	2x America Socket, 110V,60Hz,max 1000W
	USB A1/A2	max18w(5V 3A,9V 2A,12V 1.5A) support quick charging(QC3.0/QC2.0/AFC/FCP/SCP/BC1.2/Apple)
	USB C1/C2(type C)	max100w(5V 3A,9V 3A,12V 3A,15V 3A,20V 5A) support quick charging(PPS/PD/QC3.0/QC2.0/AFC/FCP/SCP/BC1.2/Apple)
	DC port	5521x2,cigaretter lighter 12V 10A
	wireless charger	10W
Lighting	LED work light	2W
	LED flash light	2W with SOS flash

How to use

1 Recharging.

- 1.1 Wall charger. CEA power station is designed with built-in adapter to charge from wall socket. Connect power cord attached from one side to power station input port, the other side connect to AC wall socket. Input voltage 100-240V, 50/60Hz.
- 1.2 Solar board. Connect the wire from solar board to Anderson port on power station, be care to connect positive and negative correctly. It support max input 400W (11-60V 10A)with MPPT.
- 1.3 Car port charging . Connect cigarette lighter on the vehicle port, the other side connect to Anderson port on power station, be care to connect positive and negative correctly. It support max 120W(12V 10A) input.

2 Discharging.

- 2.1 AC socket .Make sure the device you want to use is performing properly, the device rated power should not over 1000W. Insert the plug from device to the AC socket on power station, first press power button on , second press AC ON/OFF button on, AC symbol on LCD display will turn green, then you may switch on the device connected. Shut off operation is the reverse of discharging operation. Attention! The device power connected in total should not over 1000W, otherwise power station will shut off automatically.
- 2.2 USB port. Connect devices to USB port properly, first press power button on, second press USB ON/OFF button on, USB or Type C symbol on LCD display will turn green, then the devices will be recharged. Shut off operation is the reverse of discharging operation.

2.3 DC port. Connect devices to 5521 port or cigarette lighter, first press power button on, second press DC ON/OFF button on, DC symbol on LCD display will turn green, then you may switch on the devices connected. Shut off operation is the reverse of discharging operation.

3 Wireless charger

First press power button on, second press USB ON/OFF button on, USB or Type C symbol on LCD display will turn green, then put the device on wireless charger area. Shut off operation is the reverse of discharging operation.

4 Lighting.

4.1 LED work light. It is on side of the carrier, first press power button on, then press the light button on.

Troubleshooting

Symptom	Solution
The product fails to start.	1. Remove all electrical equipment, charge the product for 10 minutes, then start it again.
The DC, USB,and AC ports have no output.	2. Ensure the product is used in normal temperature range.
The product can be started,but corresponding output ports(DC,USB,AC) have no output.	1. Check whether the status of charge of the product is too low. If so,charge it in time.
	2. Check whether the power of the electrical equipment is over power station rated power. If so,remove the equipment and start the product again.
	3. Check whether there is a short circuit between output port and electric equipment. Remove the equipment and restart the product.
	4. Connect the equipment to another power supply and check whether it works properly. The product may not be compatible with certain euqipment.
The product is shut down accidentally during use.	The product is shut down because the internal protection system starts due to events such as overcharge, overdischarge, high temperature, low temperature,overcurrent, and short circuit. Remove all the electrical equipment , keep the product in normal temperature range, charge it for 10 minutes, start the product again.
Fails to charge.	Check whether the charging electrical parameters are within the charging range of the product.

Maintenance

It is recommended to get portable power station fully recharged before using for the first time.

In the case of long-term storage (more than 3 months), ensure status of charge is 50% or higher.

Use the product in temperature range of -10~65°C(14° to 149°F) ,beyond this range will shorten its service life.

Cleaning

Be sure power station is disconnected from all input power sources and output devices. Use a dry clean cloth to wipe the case, remove any debris, dirt or other blockages .

Storage

If storage for more than 1 month, charge fully before storage and recharge approximately every 3 months to avoid full discharge and possible damage. Storing indoor, temperature -10~65°C(14° to 149°F),keep away from direct sunshine.

Leaving in a vehicle or other confined spaces in extremely hot temperature can lead to decreased service life, overheating, and fire. Extreme cold temperature below specific storage range can also do harm to performance and service life. Keep away from corrosion chemicals and gases.

Disposal/Recycle

Do not place equipment and its accessories in the trash. Items must be appropriately disposed in according with local regulations.

WARNINGS

To ensure safe operation and service of the power station, follow these instructions. Failure to observe these warnings can result in severe injury or fire. The AC output of the product is 110V. Do not insert your hand or metal conductors into the AC sockets.

To avoid unknown hazards, do not open the product without permission.

Charge with original accessory to avoid fire, explosion or other hazards.

Select a solar panel based on the electrical parameters specified by the manufacturer. Voltages above the specified range may damage the product.

If the product smells abnormally or heats up during charging or storage, stop charging immediately and place it in an open place for remote observation. After confirming that it is safe, contact the manufacturer or dealer.

This product and its accessories may contain small parts. Keep the product and its accessories out of reach of children. Children may inadvertently damage this product and its accessories, or swallow small parts, causing suffocation or other hazards. Children or persons with intellectual disability should be accompanied by a guardian to use this product. Do Not disassemble or modify the product, insert foreign object into the product, or immerse it in water or other liquids to avoid leakage, overheating, fire, or explosion.

Do Not short-circuit the positive and negative terminals of each output port.

Do Not use a product with obvious damage. Do not use damaged wires or plugs to connect to the product which may cause electric shock.

Do Not use the portable power station over its output rating. Overload outputs may result in a risk of fire or injury to persons, even though we have built-in overload protection.

Do Not use the portable power station or AC wall charger, if it is damaged or has been modified. Damaged or modified batteries may exhibit unpredictable behavior resulting in fire, explosion, or risk of injury.

Do Not subject to vibration , impacts, or drops. Secure the the portable power station during transport.

Do Not place the unit on its side or upside down while in use or in storage.

Do Not use the product at an attitude of more than 2000m.

Do Not use this product during thunderstorms. Thunderstorms may cause product failure or electric shock hazard.

Do Not drop, squeeze, or puncture the product. Avoid exposing the product to excessive external pressure, which can cause internal short circuit and overheating.

It is prohibited to store or transport the product with keys, metal ornaments, or other metal objects.

Do Not throw the product into the fire. Otherwise , product may catch fire and explode.

Packing list

- 1 Portable power station x1 set;
- 2 AC recharging Power cord x1 piece;
- 3 Cigarette charger wire x1 piece;
- 4 User manual x1 piece.

CEA ELECTRIC CO.,LTD

Address : 55th Dingda Road, Fuyang Industrial Zone,
Yingquan District, Fuyang,Anhui,China. 236000

Tel : +86-558-2623358 Fax : +86-558-2623358

Email : anlen@ceaworld.com

Website : www.cealite.com